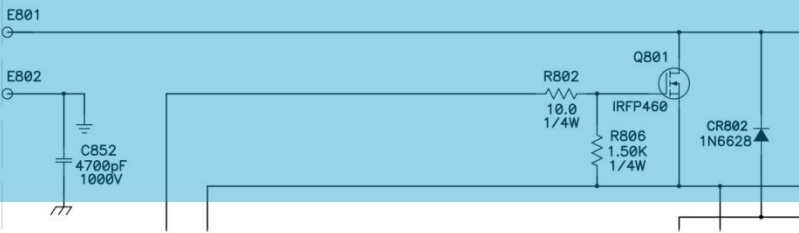
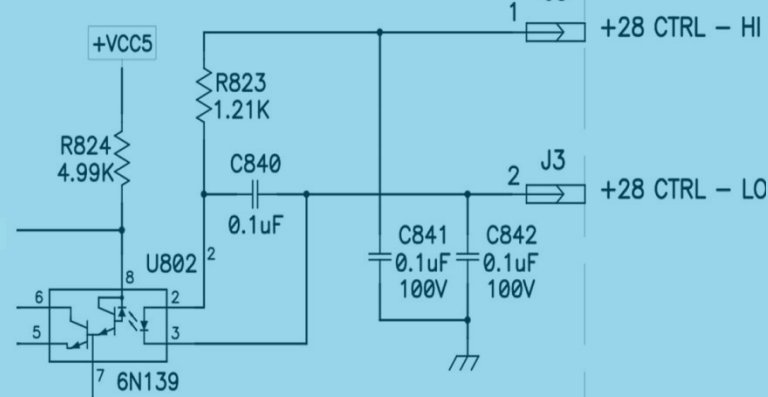


117000 SERIES

SINGLE OUTPUT AC TO DC CONVERTERS
UP TO 100 WATTS



PRODUCT FEATURES

117000 Series

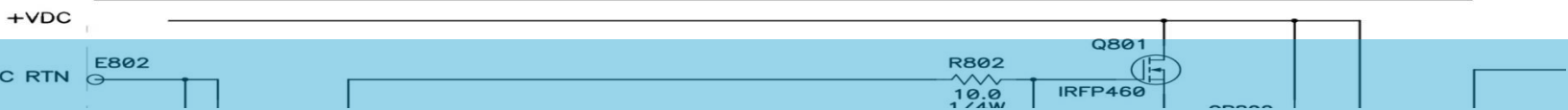
- Single Output Models up to 100 Watts
- Input/Output Isolation
- Component Derating per NAVSO P-3641A
- Shield on all six sides
- Efficiency: >75%
- Built-in EMI Filter
- Input & Output "D" Connectors
- Repairable (non encapsulated)
- Input Transients (MIL-STD-1399-300B)

Our standard designs can be modified to meet exact customer specifications



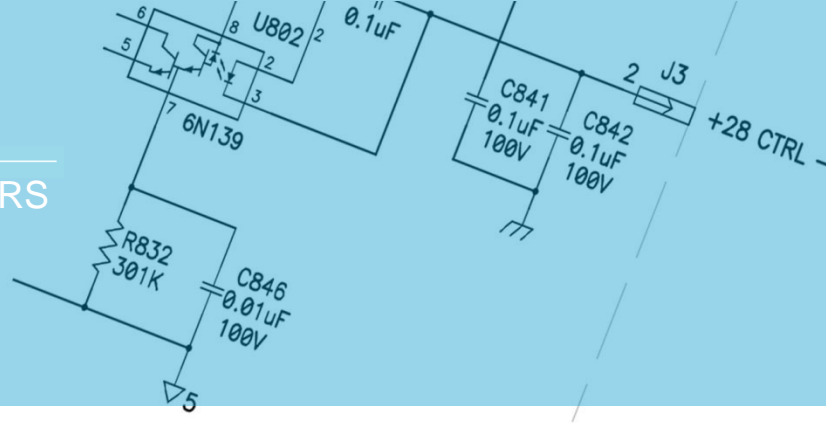
AC/DC POWER SUPPLIES | DC/DC CONVERTERS

2150 Anchor Court | Newbury Park, CA 91320 | Tel: 805.498.9838 | Fax: 805.498.9452 | www.centuryele.com



117000 SERIES

SINGLE OUTPUT AC TO DC CONVERTERS
UP TO 100 WATTS



PRODUCT SPECIFICATIONS

All specifications subject to change

AC Input:

- 115 VAC, 60 Hz
- Input Transients (MIL-STD-1399-300B)
- EMI Input Filter Built-in
- Inrush Current Limit

Mechanical:

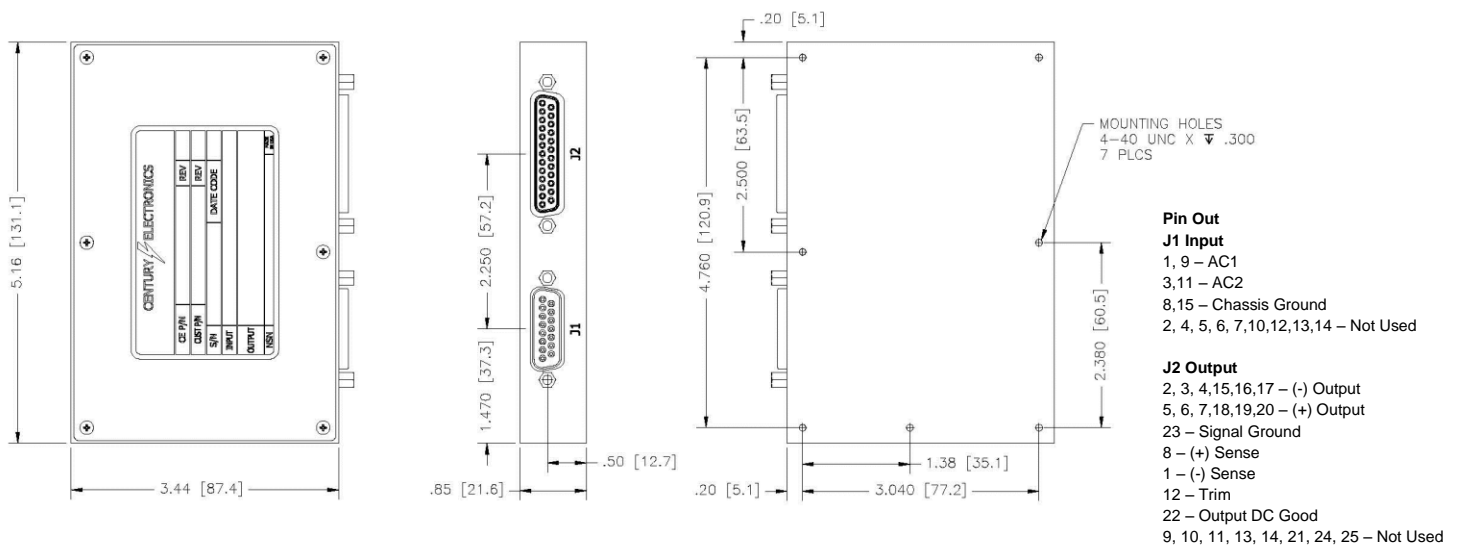
- Weight: 0.9 lbs.
- All dimensions in inches [mm]

DC Output:

- Output Voltages – See Table
- Ripple & Noise: 1% p-p
- Overcurrent Protection: 120%
- Ambient Operating Temperature Range: -40°C to 85°C
- Short Circuit Protection Auto Recovery
- Isolation: Input to Chassis to Outputs 500V, 100M Ohm
- Line, Load and Temperature Regulation: 1%
- *Consult factory for different output voltages

Standard Models

Part Number	Output Voltage (v)	Output Current (A)
117000-5	5	15
117000-12	12	6.3
117000-28	28	3.6



2150 Anchor Court | Newbury Park, CA 91320 | Tel: 805.498.9838 | Fax: 805.498.9452 | www.centuryele.com

